



**BCATS**

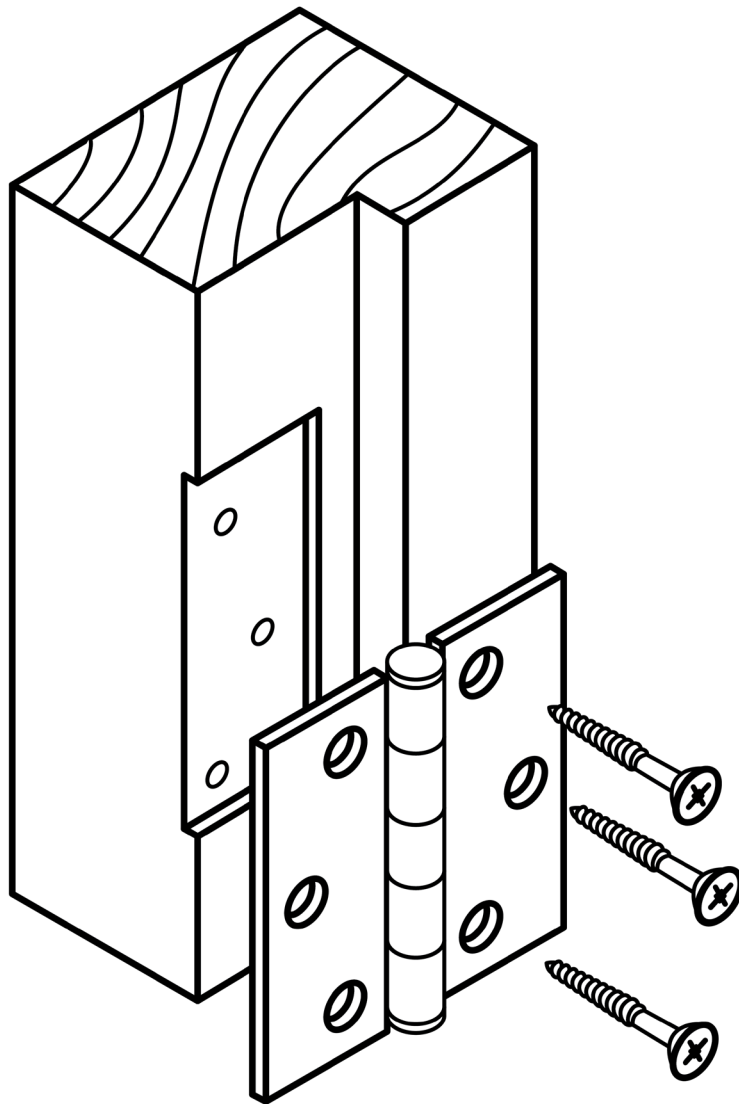
BUILDING, CONSTRUCTION  
AND ALLIED TRADES SKILLS

**Level**

**1**

# Hardware and fastenings

Assessment resource



**2 credits**

Skill Standard 40545 (v1)

**Use hardware and fastenings for a BCATS project or related tasks**

Learner name: \_\_\_\_\_

BCATS project: \_\_\_\_\_

**BCITO**  
He Hunga Hanga Mātou  
building people

## Assessment: Hardware and fastenings

### Learner instructions

This assessment is about using hardware and fastenings for a BCATS project.

You need to show you can do these things without being prompted:

- Choose the hardware and fastenings you need for your project
- Join or secure the project components accurately as instructed in the BCATS project instructions
- Explain the steps you have taken to make sure the hardware and fastenings are secure.

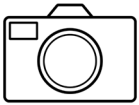


Your teacher will observe you using the hardware and fastenings safely. They will provide comments in this assessment resource as evidence to support their observations.

You will need to provide the following evidence to support this. Submit it using myBCITO or the process at your school/organisation.



Your notes on how you planned to secure the hardware and fastenings.



Photos of you securing the hardware and fastenings (if needed).

Photos of the completed project showing the hardware and fastenings you used.

Use the assessment checklist in this assessment resource to keep track of the evidence you have collected.

---

The grade you are awarded will be based on your ability to use hardware and fastenings to skilfully and securely connect project components.

---

## Assessment checklist: Hardware and fastenings

To be completed by the learner and the teacher.

Assessment activity	Evidence needed	Date all evidence collected (Learner to complete)	Teacher sign-off
Hardware and fastenings	Your notes on how you planned to secure the hardware and fastenings.		
	Photos of you securing the hardware and fastenings (if needed).		
	Photos of the completed project showing the hardware and fastenings you used.		
<p><b>Note:</b> A copy of the project instructions must also be included in your overall portfolio of evidence.</p>			

## Teacher observation: Hardware and fastenings

Learner name: \_\_\_\_\_

Project: \_\_\_\_\_

### Teacher instructions

Below are criteria for the available grades.

Not Achieved	Achieved	Merit	Excellence
Hardware and fastenings do not appropriately join project components.	Use hardware and fastenings for a BCATS project or related tasks.	Use hardware and fastenings efficiently in a BCATS project or related tasks.	Use hardware and fastenings skilfully in a BCATS project or related tasks.



**Provide comments on the learner's ability to meet the following assessment criteria, considering everything you observed throughout the project.**

Appropriate hardware and fastenings for the project are chosen.	
Project components are joined or held secure.	

## Grade awarded: Hardware and fastenings

### Teacher instructions

After considering all the evidence collected, enter the grade you will award for Skill Standard 40545, with comments that explain your decision.

Final grade		Date	
<p><b>Justification for final grade</b> (Provide overall comments, considering all evidence collected)</p>			

### Teacher and learner sign-off

		Date
<p><b>Learner signature</b> (Grade received and accepted)</p>		
<p><b>Teacher sign-off</b></p>	<p>Name: _____ Signature: _____</p>	